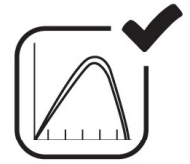


Three Phase

SUN-15K-G



Max. Efficiency
98.6%



2 MPPT



RS485/RS232



Internal SPD



Zero Export



IP65
Ingress Protection

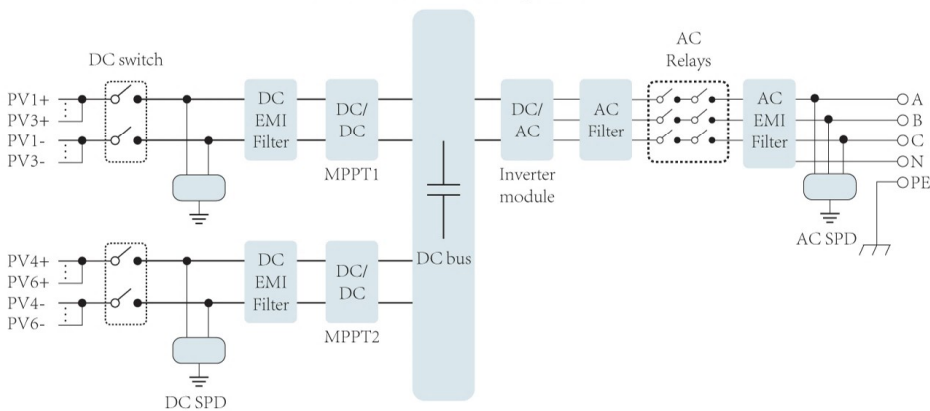


High Power
Factor

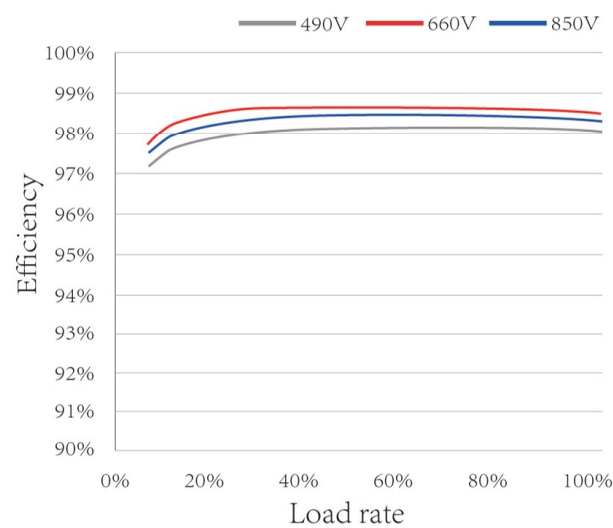


High Surge
Endurance

Circuit block diagram



Efficiency curve





Technical Specifications

Model		SUN-15K-G
Energy source	Grid-connected PV	
Input Side		
Max.DC Power(kW)	18	
Max.DC Input Voltage(V)	1000	
Start-up DC Input Voltage(V)	250	
MPPT Operating Range(V)	200~800	
Max.DC Input Current(A)	20+20	
Number of MPPT/ Strings per MPPT	2/2	
Output Side		
Rated Output Power(kW)	15	
Max.Active Power(kW)	16.5	
Rated AC Grid Voltage(V)	380/400	
AC Grid Voltage Range(V)	277~460	
Rated Grid Frequency(Hz)	50/60 (Optional)	
Operating Phase	Three phase	
Rated AC Grid Output Current(A)	21.8	
Max.AC Output Current(A)	24	
Output Power Factor	>0.99	
Grid Current THD	<3%	
DC Injection Current(mA)	<0.5%	
Grid Frequency Range	47~52 or 57~62(Optional)	
Efficiency		
Max. Efficiency	98.6%	
Euro Efficiency	97.8%	
MPPT Efficiency	>99%	
Protection		
DC Reverse-Polarity Protection	Yes	
AC Short Circuit Protection	Yes	
AC Output Overcurrent Protection	Yes	
Output Overvoltage Protection	Yes	
Insulation Resistance Protection	Yes	
Ground Fault Monitoring	Yes	
Surge Protection	Yes	
Islanding Protection	Yes	
Temperature Protection	Yes	
Integrated DC Switch	Optional	
General Data		
Size(mm)	455W × 573H × 265D	
Weight(kg)	30.5	
Topology	Transformerless	
Internal Consumption	<1W(Night)	
Running Temperature	-25~60 °C	
Ingress Protection	IP65	
Noise Emission(Typical)	<30 dB	
Cooling Concept	Intelligent cooling	
Max. Operating Altitude Without Derating	2000m	
Designed Lifetime	>20 years	
Grid Connection Standard	EN50438,IEC61727,VDE0126-1-1,VDE4105,NB/T32004(CQC),IEC62109-1-2	
Operating Surroundings Humidity	0-100%	
Stafy EMC /Standard	IEC62109-1/-2,EN61000-6-1,EN61000-6-3	
Features		
DC Connection	MC-4 mateable	
AC Connection	IP65 rated plug	
Display	LCD1602 / LCD 240 × 160	
Interface	RS485/RS232	