

2019 ALL NEW SOLAR ROOF MOUNT

Better Design, Better Support, Better Price

We respect your project and installation. Every single detail of this 2019 new solar roof mount has been considered and optimized

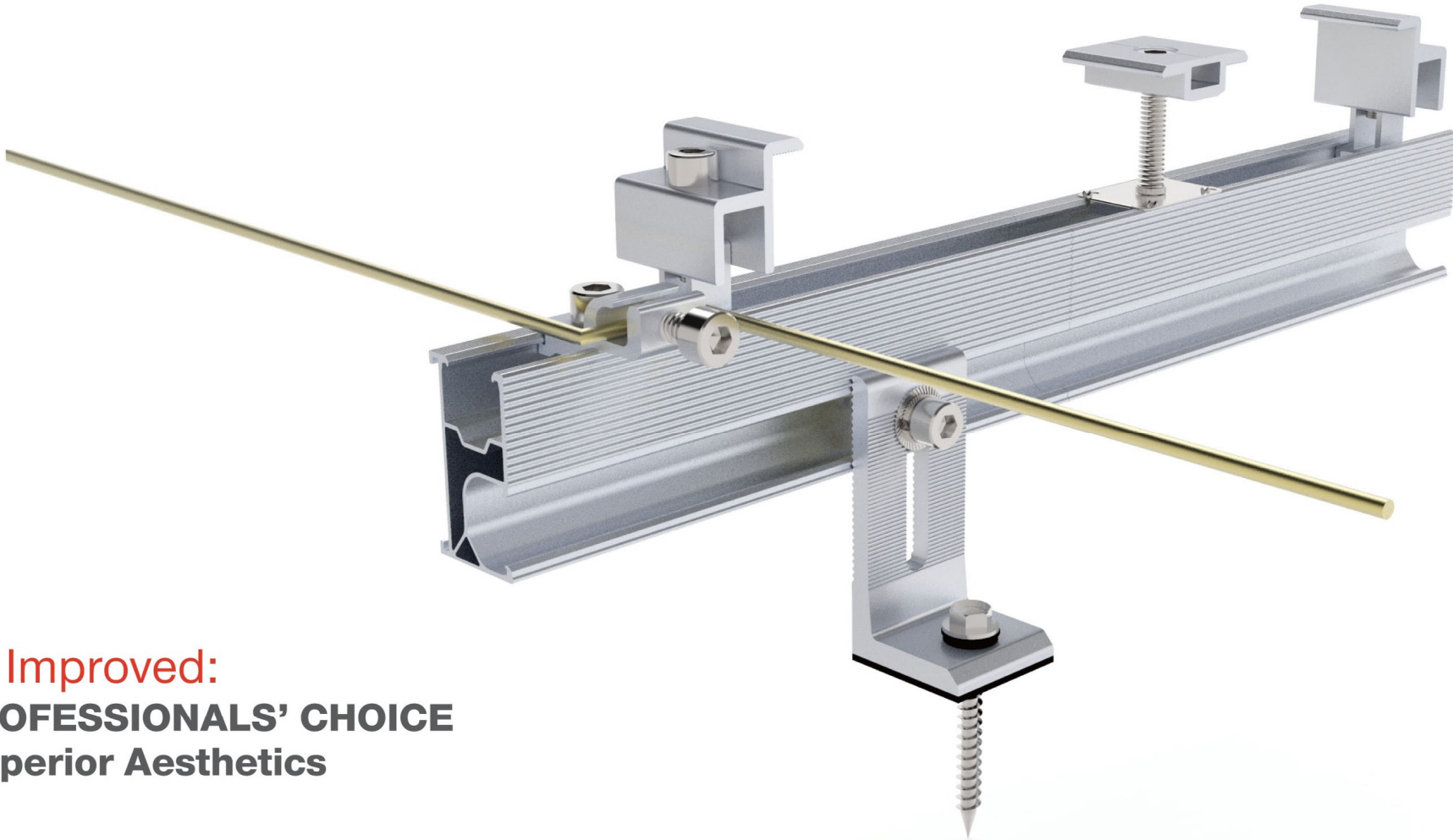
- Rail structure has been optimized to enhance strength, and additional anti-sliding design for modules positioning stability
- Rail splice comes with side joining between rails, adding bottom holding increase significantly supporting strength.
- Universal mid clamp is fully per-assemble, self-standing by recessed spring and grounding clip. Universal for 30-40mm size solar modules. Inverted hooks for better contact with module frame.
- Universal end clamp is fully per-assemble for 30-40mm module size.

Every component has been fully optimized with better design, better support for easier, faster installation experience.

2019 ALL NEW SOLAR ROOR MOUNT is a professional choice for your roof solar mounting.

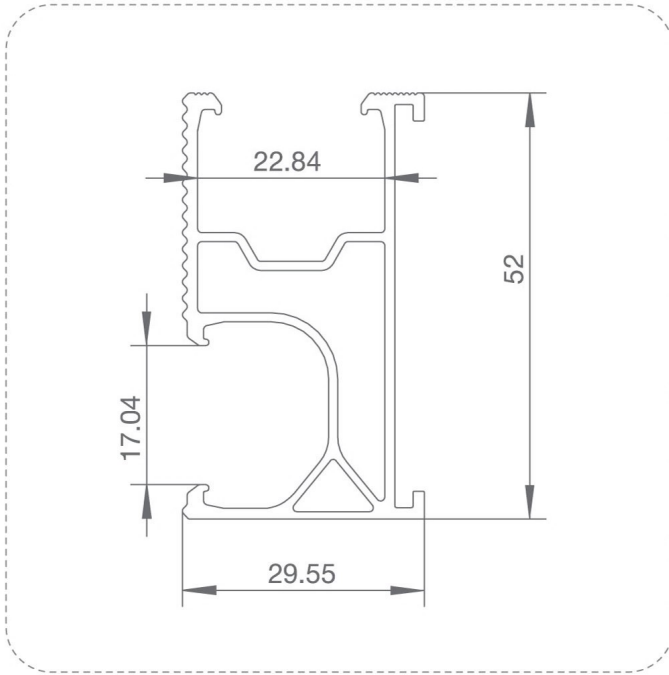


WWW.EF-PANELS.COM



New & Improved:
THE PROFESSIONALS' CHOICE
With Superior Aesthetics

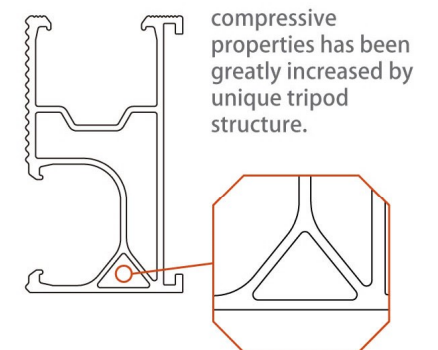
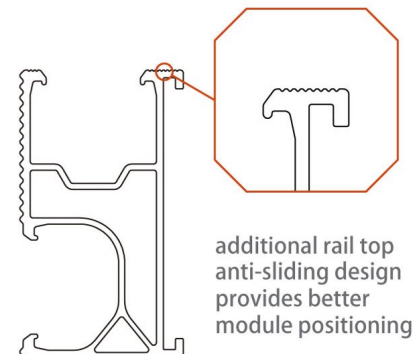




Every detail of the 2019 NEW rail has been considered and fully optimized in structural properties for a better strength with less material utilization and cost.

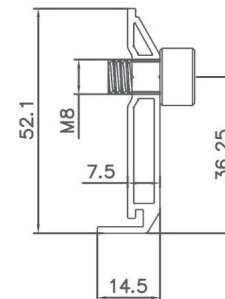
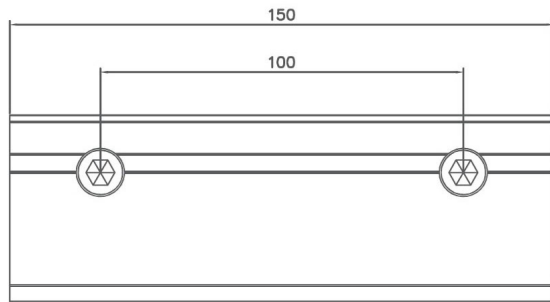
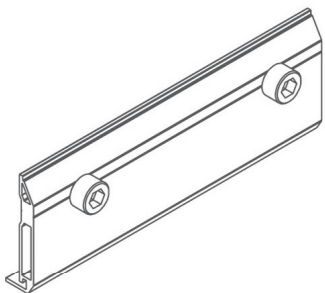
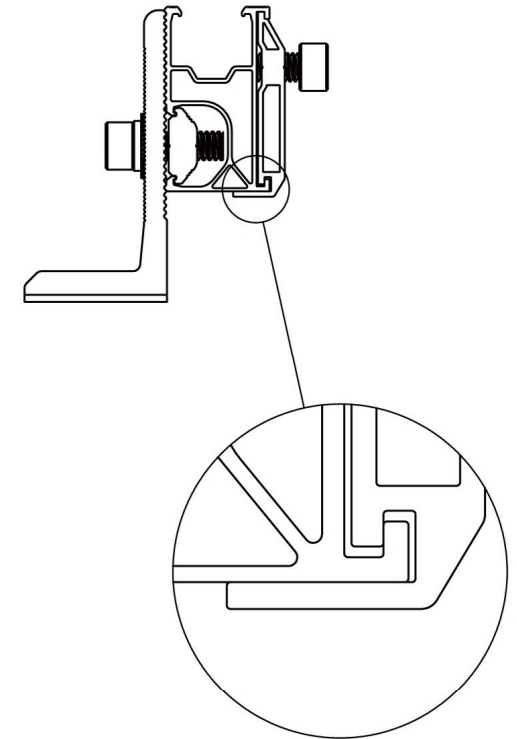
Section characteristics

Section area moment	$S_3=1851.55\text{mm}^3$ 、 $S_2=1174.93\text{mm}^3$
Moment of inertia	$I_3=73040.08\text{mm}^4$ 、 $I_2=25980.17\text{mm}^4$
Cross section modulus	$W_3(\text{min})=2634.66\text{mm}^3$ 、 $W_2(\text{min})=1754.98\text{mm}^3$

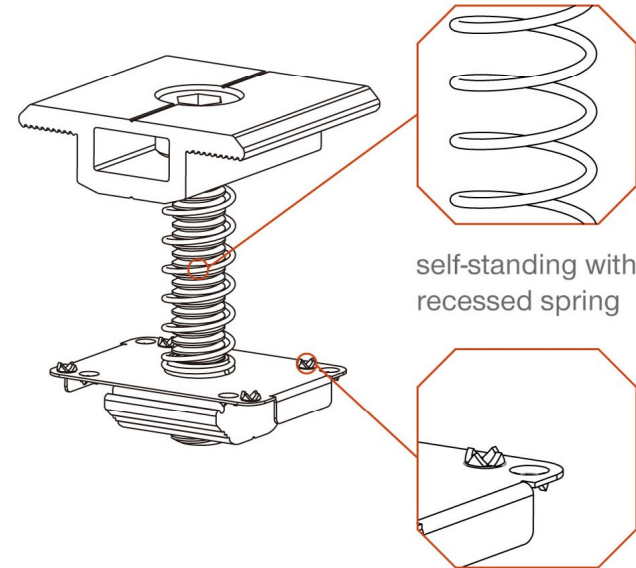




Rail can be easily spliced and bonded together with rail splices with great strength the additional bottom supporting to two joining rails provides additional safety and strength and significantly increase the rail compressive capacity.

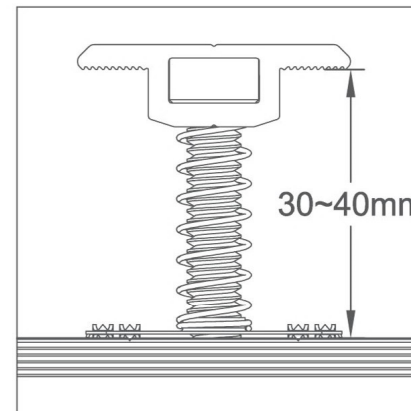
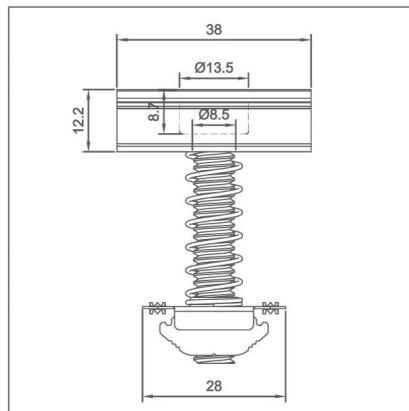


the additional bottom supporting to two joining rails provides additional safety and strength and significantly increase the rail compressive capacity.

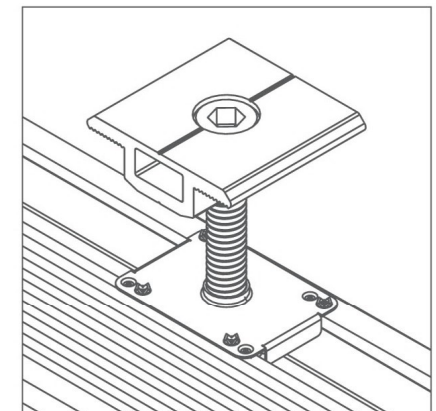


grounding pins 4 for rail, 4 for panel frame

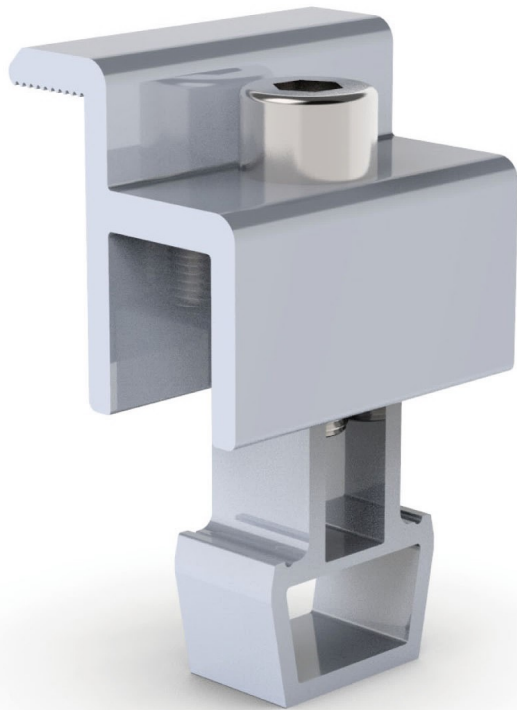
The mid clamp is universal for 30mm-40mm module size, fully pre-assembled with grounding clip, self standing by recessed spring.



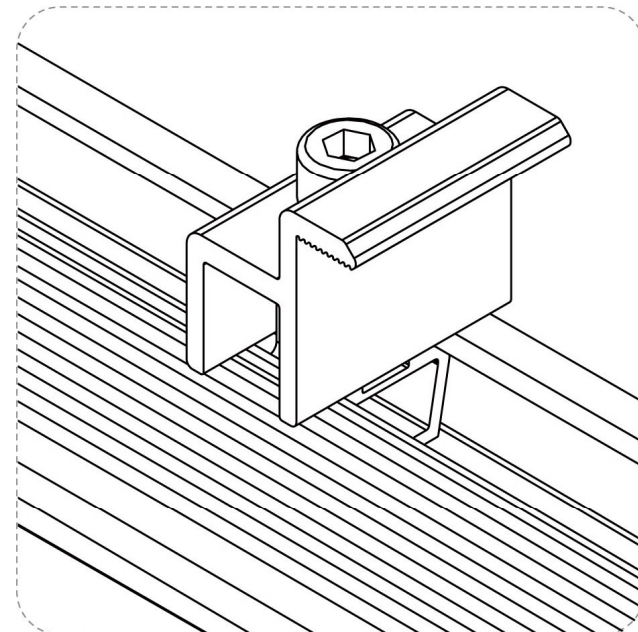
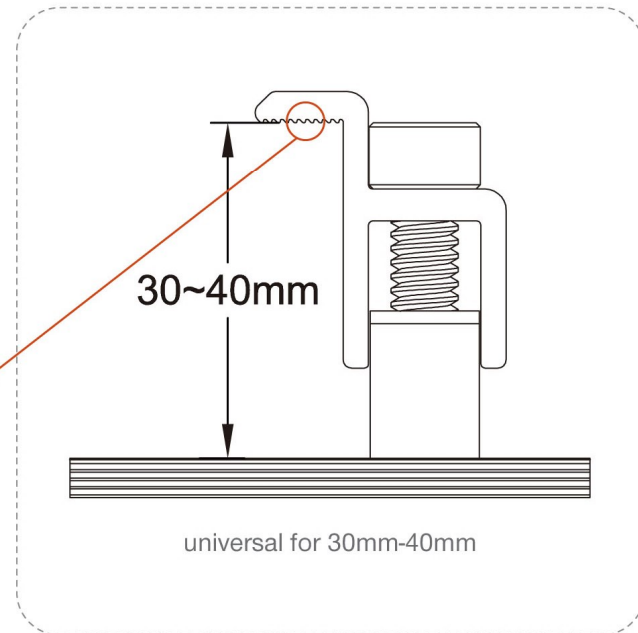
universal for 30mm-40mm



Self-standing, fully pre-assembled

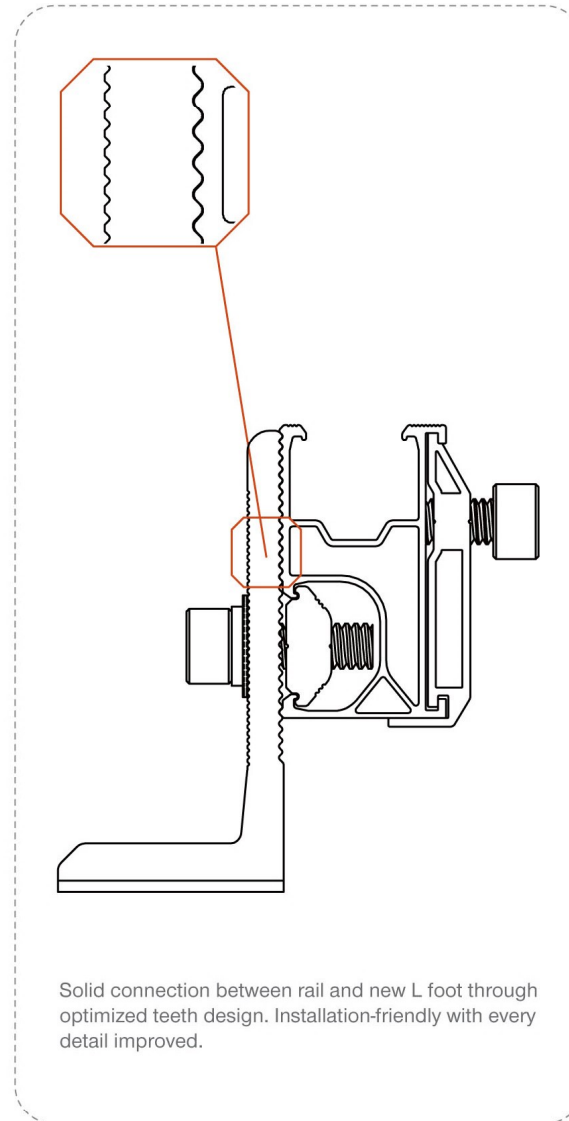


The END clamp is universal for 30mm-40mm module size, fully pre-assembled.

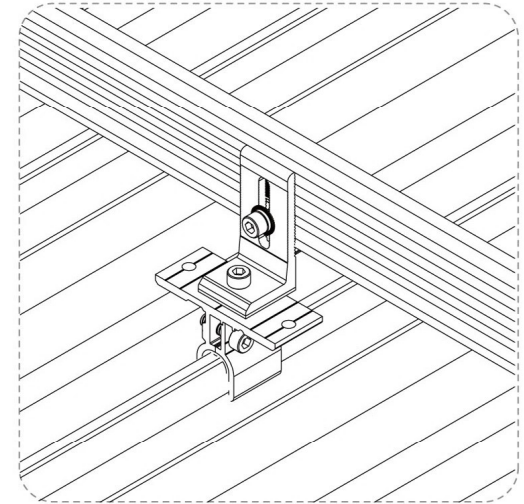




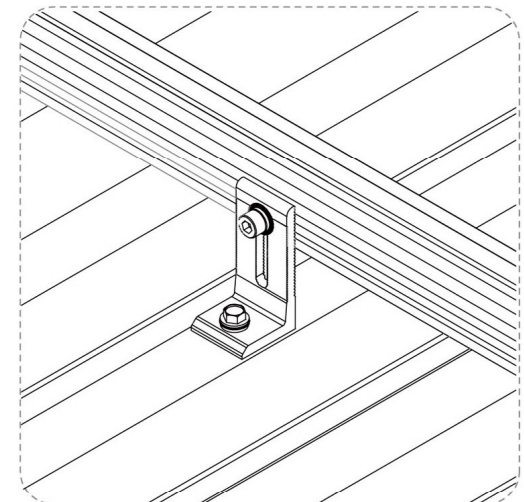
L foot has been further optimized in every detail, it comes with better strength and connection with rail, and installation-friendly.



Solid connection between rail and new L foot through optimized teeth design. Installation-friendly with every detail improved.



Applied with clamps for A variety of different standing seam roof.



Applied with trapezoidal sheet metal, corrugated sheet metal by a wooden screw or self-drilling screw.