



Ballasted Mounting System

For flat roof 10° Tilt S and E-W orientation



ISO 9001: 2015 quality management system certified



E-W 10

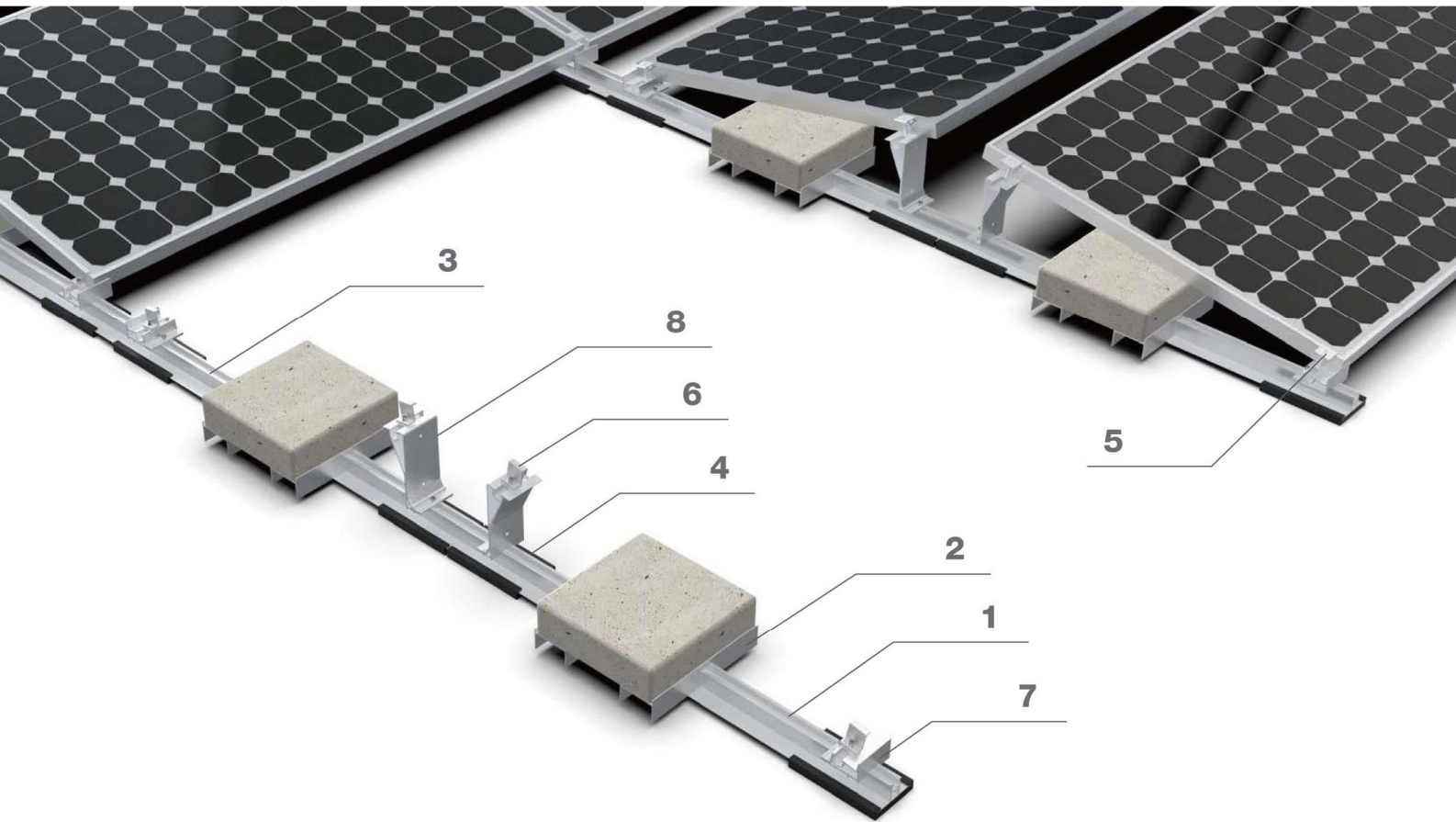


10 Degree dual tilt

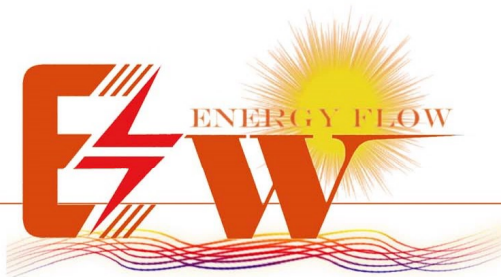
- Maximal area utilized
- Maximal PV quantity installed
- E-W 10 is for solar installed on a flat roof, for maximized roof space utilized, and PV quantity installed.
- All parts are made of extruded aluminum, with stainless steel 304 fasteners
- EPDM foam tape is installed at the bottom of the system, separated the roof and system.
- EPDM foam tape provides better friction, and compensates for the height difference when the roof is uneven.

Technical features:

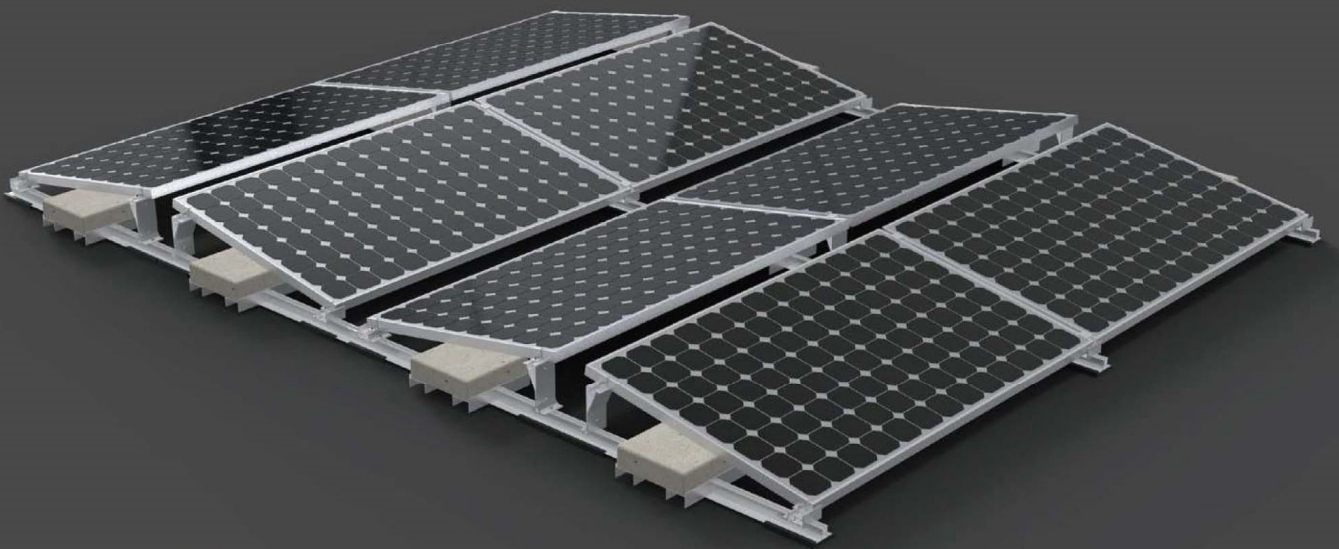
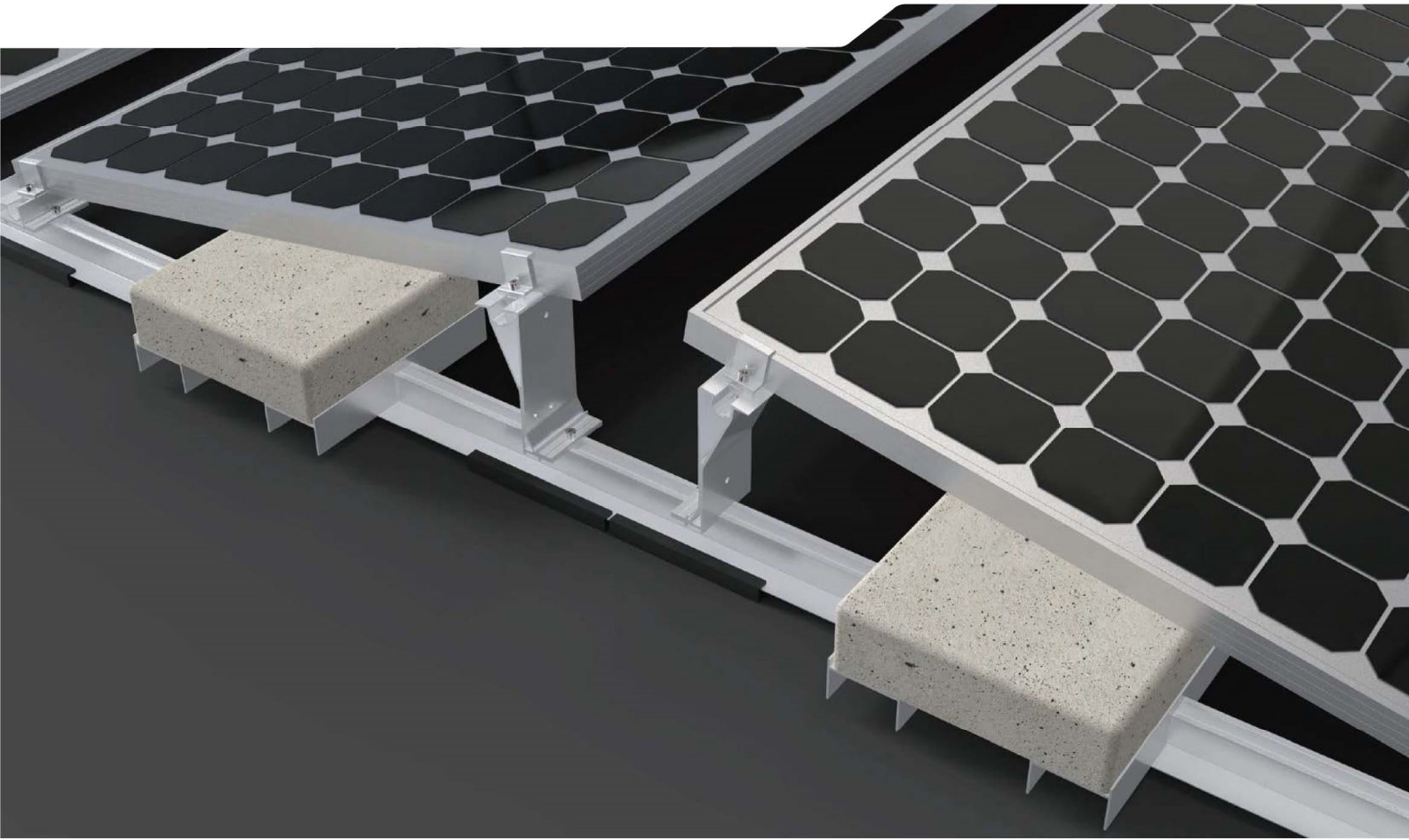
Product name	E-W 10
Application	Flat roof
Tilt	10°
System Material	extruded aluminum profile 6005 T5
Fastener material	Stainelss steel 304
Finish	Anodized
Module orientation	Landscape



Components



New & Improved: The Professionals' Choice With Superior Aesthetics



WWW.EF-PANELS.COM

S 10



10 Degree tilt

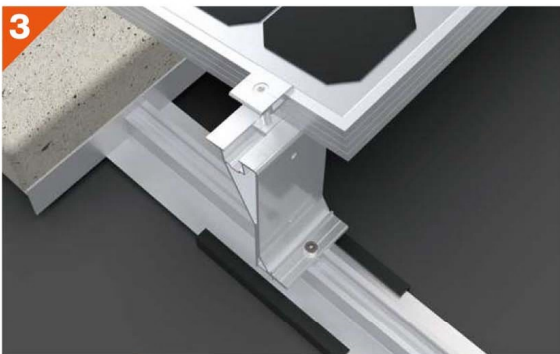
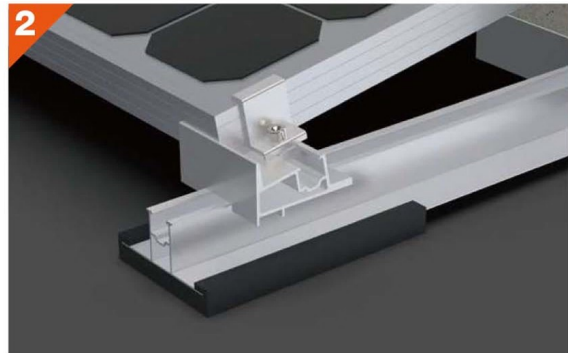
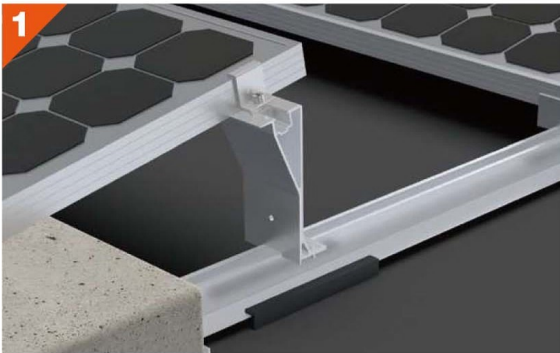
- Better panel output
- The S Ballast is for solar PV to be fast and easily installed on a flat roof with 10 tilt degree inclination.
All parts are made of extruded aluminum, with stainless steel 304 fasteners
- EPDM foam tape is installed at the bottom of the system, separated the roof and system.
- EPDM foam tape provides better friction and compensates for the height difference when the roof is uneven.

Technical features:

Product name	S 10
Application	Flat roof
Tilt	10°
System Material	extruded aluminum profile 6005 T5
Fastener material	Stainelss steel 304
Finish	Anodized
Module orientation	Landscape



New & Improved: The Professionals' Choice With Superior Aesthetics



WWW.EF-PANELS.COM



New & Improved: The Professionals' Choice With Superior Aesthetics

