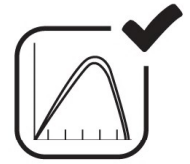


# Single Phase

## SUN-5K-G



Max. Efficiency  
97.5%



1 MPPT



RS485/RS232



IP65  
Ingress Protection



Zero Export

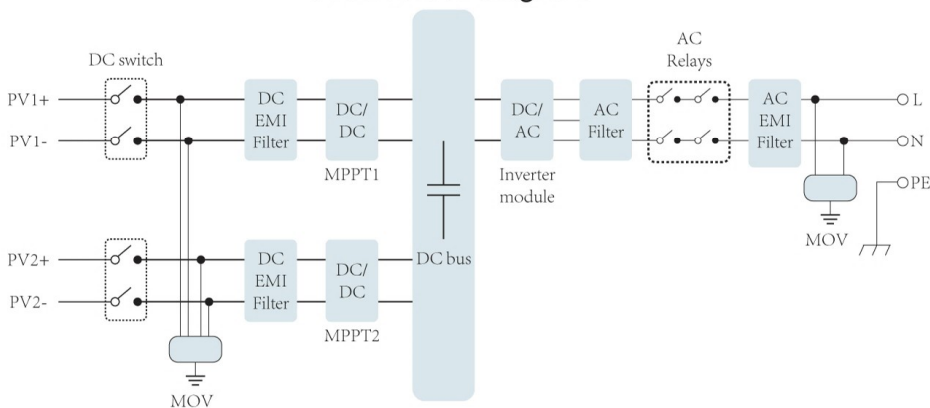


High Surge  
Endurance

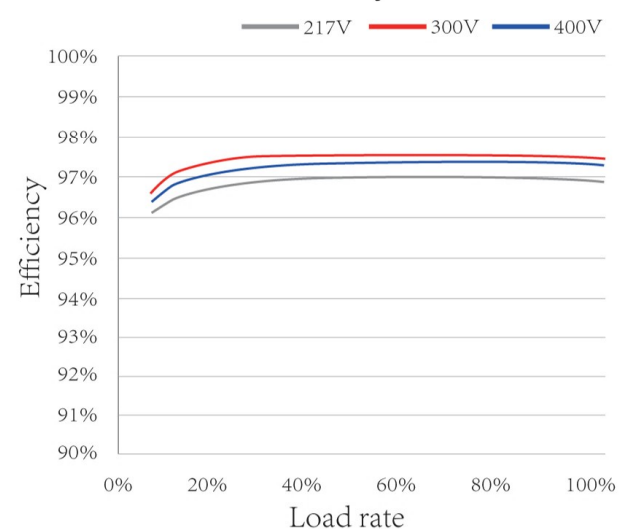


High Power  
Factor

Circuit block diagram



Efficiency curve





# Technical Specifications

Model		SUN-5K-G
Energy source	Grid-connected PV	
<b>Input Side</b>		
Max.DC Power(kW)	6.5	
Max.DC Input Voltage(V)	500	
Start-up DC Input Voltage(V)	120	
MPPT Operating Range(V)	100~500	
Max.DC Input Current(A)	10+10	
Number of MPPT/ Strings per MPPT	2/1	
<b>Output Side</b>		
Rated Output Power(kW)	5	
Max.Active Power(kW)	5.5	
Rated AC Grid Voltage(V)	230	
AC Grid Voltage Range(V)	180~300	
Rated Grid Frequency(Hz)	50/60 (Optional)	
Operating Phase	Single phase	
Rated AC Grid Output Current(A)	22	
Max.AC Output Current(A)	24	
Output Power Factor	>0.99	
Grid Current THD	<3%	
DC Injection Current(mA)	<0.5%	
Grid Frequency Range	47~52 or 57~62(Optional)	
<b>Efficiency</b>		
Max. Efficiency	97.5%	
Euro Efficiency	97.3%	
MPPT Efficiency	>99%	
<b>Protection</b>		
DC Reverse-Polarity Protection	Yes	
AC Short Circuit Protection	Yes	
AC Output Overcurrent Protection	Yes	
Output Overvoltage Protection	Yes	
Insulation Resistance Protection	Yes	
Ground Fault Monitoring	Yes	
Surge Protection	Yes	
Islanding Protection	Yes	
Temperature Protection	Yes	
Integrated DC Switch	Optional	
<b>General Data</b>		
Size(mm)	330W × 347.5H × 179D	
Weight(kg)	12.5	
Topology	Transformerless	
Internal Consumption	<1W(Night)	
Running Temperature	-25~60 °C	
Ingress Protection	IP65	
Noise Emission(Typical)	<30 dB	
Cooling Concept	Intelligent cooling	
Max. Operating Altitude Without Derating	2000m	
Designed Lifetime	>20 years	
Grid Connection Standard	EN50438,IEC61727,VDE0126-1-1,VDE4105,NB/T32004(CQC),IEC62109-1-2	
Operating Surroundings Humidity	0-100%	
Stafty EMC /Standard	IEC62109-1/-2,EN61000-6-1,EN61000-6-3	
<b>Features</b>		
DC Connection	MC-4 mateable	
AC Connection	IP65 rated plug	
Display	LCD1602	
Interface	RS485/RS232	